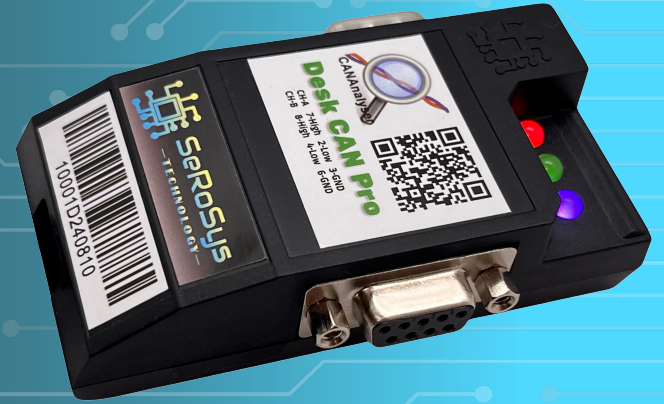


Desk CAN Pro

Intuitive, easy to use, powerful CAN FD tool without a complicated learning curve. The starting point professional CAN FD software and hardware module with more features and power.

Stand-Alone mode sending, macro message sending, Built-in Data Viewer and Graphic Analyser, API interface and much more out of the box!



Features



Superior Performance

- Simultaneous Dual CAN Bus
- Time Stamping Resolution 1 μ s
- Supports CAN 2.0A, 2.0B, S0 and non-ISO CAN FD
- Supports CAN Baud Rate support up to 10Mb/s
- Off-line data viewer
- Built-in Graphical Data Analyser



Streamlined Setup & Easy to Use

- Driver Free Windows Installation
- Set up to automatically detect hardware
- One common software detects all hardware models



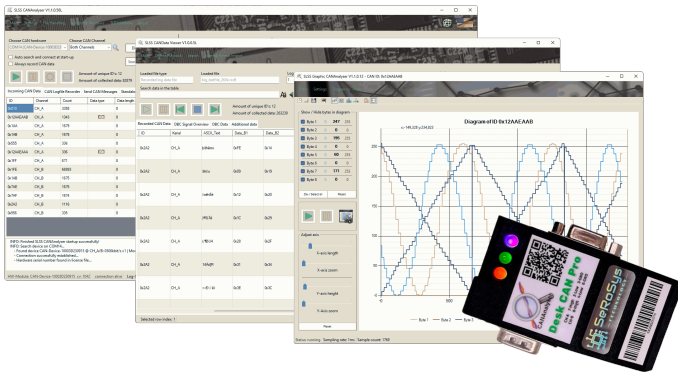
Support & Resources

- One time purchase (No recurring license fees)
- One year Warranty
- Support & updates at www.serosys-tech.com
- Future: CANAnalyser software upgrades will be downloadable



USB Bus Powered, Rack mountable & Upgrades

- High Speed USB 2.0 Powered
- Able to convert to available Rack mount or Vehicle mount
- Future Options will support Micro SD, GPIO, **QWIC** expansion connector



CAN Data Analyzer/Logger

Built-in Graphical Analyser

Built-in Offline Data Viewer (With Peak™ TRC and XMT file support)

Applications

Vehicle system debug and testing

Programmable Stand-alone mode for Initialization and Keep-Alive for ECU testing

Remote TCP/IP Interface for Command-and-Control Test platform Integration

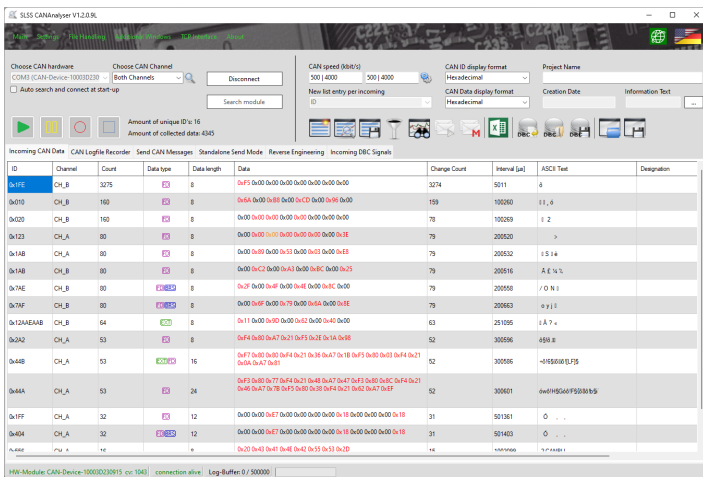


Desk CAN Pro

Specifications

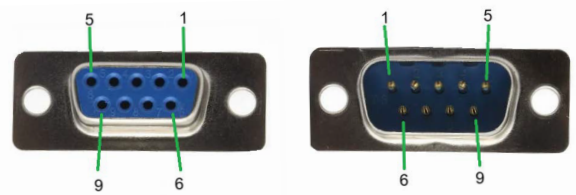
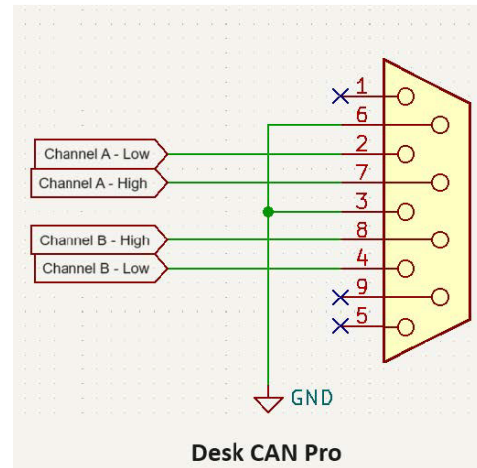
Software

CANAnalyser



Hardware

Desk CAN Pro
DB9 Connector



TCP/IP interface supports test platform integration with C++, Python, Lua

Operating Systems Supported

- Windows 10, 11

DC Characteristics

- Fully USB Powered
- ESD/Overvoltage/Transient Circuit Protection

Dimensions (W x D x L)

85.7 × 43.2 × 23.1 mm

Weight

50 g

Operating Temperature

-40° C to +85° C

Ordering Information

Desk CAN Pro

Part Number

STDCP10